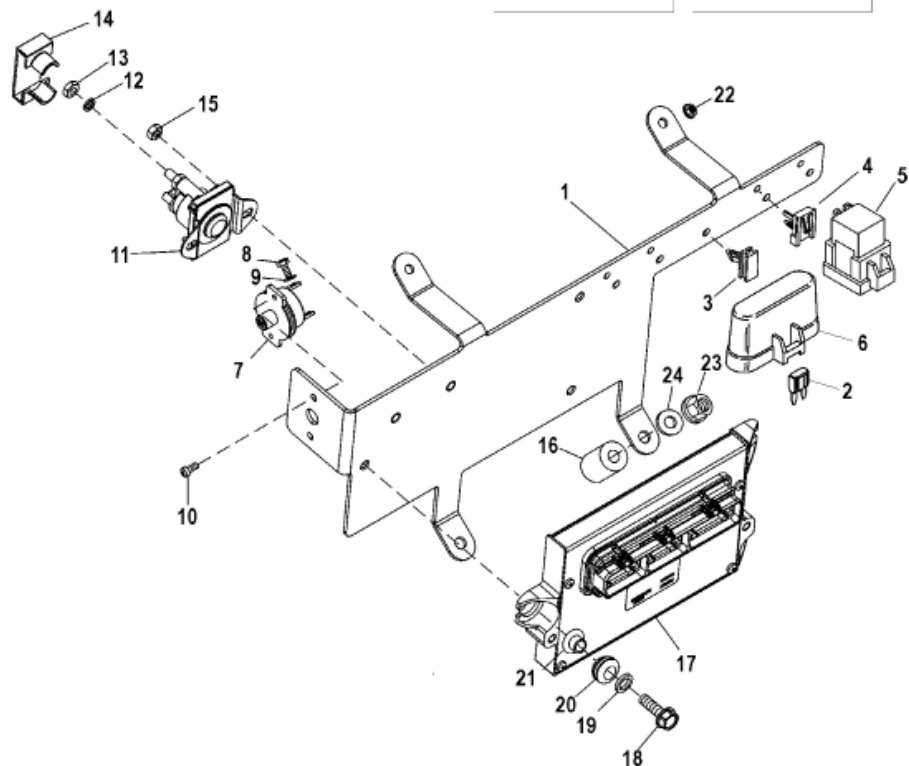


DESIGN-I



DESIGN-II



4824

Parts List

Ref	Class	Part	Description	Qty	Comment	Footnote
1		862539T	MOUNTING BRACKET	1	(Use with Design-I Ignition Coil) SN	
1		862539T01	MOUNTING BRACKET	1	(Use with Design-II Ignition Coil) SN	
NS	84	863084T	HARNESS, Wiring (EFI)	1	(Mechanical Throttle/Shift) SN# 01	
NS	84	863934T01	HARNESS, Wiring (Integrated EFI)	1	(Mechanical Throttle and Shift) SN	
NS	84	865457A02	HARNESS, Wiring (Base-Integrated)	1	(Mechanical Throttle and Shift) SN	
NS	84	865457A02	HARNESS, Wiring (H.O.-Integrated)	1	(Mechanical Throttle and Shift) SN	
NS	84	863935T01	HARNESS, Wiring (Integrated EFI)	1	(Digital Throttle and Shift) SN# 0M	
NS	84	865458A01	HARNESS, Wiring (Integrated EFI)	1	(Digital Throttle and Shift) SN# 0M	
2	88	832969	FUSE, Mini (Yellow - 20 Ampere)	3		
3	54	804351	CLIP, Fuse Block Mounting	1		
4	54	804352	CLIP, Relay Mounting	3		
5		807057T	RELAY (Mechanical Throttle-Shift)	3		
5		807057T	RELAY (Digital Throttle-Shift)	4		
6		883562	COVER, Fuse	1		
7	88	806950	CIRCUIT BREAKER, (50 Ampere)	1		
8	10	68513	SCREW, (#10-32 x .375)	2		
9	13	26996	LOCKWASHER, (#10)	2		
10	10	57583	SCREW, (#8-32 x .375)	2		
11	89	96158T	SOLENOID	1		
N.S.	11	26419	NUT, (#8-32)	2		
N.S.	13	26996	LOCKWASHER, (#10)	2		
12	13	26992	LOCKWASHER, (.250)	2		
13	11	94330	NUT, (.250-20)	2		
14	85	97861	INSULATOR, Solenoid	1		
15	11	40021	NUT, (M6)	2		
16	23	862995	SPACER	1		
17		863620T	PCM (Base)	1	(Mechanical Throttle and Shift) SN	
17		865365T01	PCM (Base)	1	(Mechanical Throttle and Shift) SN	
17		864733T01	PCM (Base)	1	(Digital Throttle and Shift) SN# 0M	
17		864733T03	PCM (Base)	1	(Digital Throttle and Shift) SN# 0M	
17		863621T	PCM (H.O.)	1	(Mechanical Throttle and Shift) SN	
17		865367T01	PCM (H.O.)	1	(Mechanical Throttle and Shift) SN	
17		864734T02	PCM (H.O.)	1	(Digital Throttle and Shift) SN# 0M	
18	10	821300	SCREW, (M6 x 25)	3		
19	23	856954	BUSHING, Electrical Plate	3		
20	25	834985	GROMMET	3		
21	12	65567	WASHER, (.265 x .750 x .048)	3		
22	11	40020	NUT, (M8)	2		
23	11	863289	NUT	2		
24	12	12038	WASHER	2		